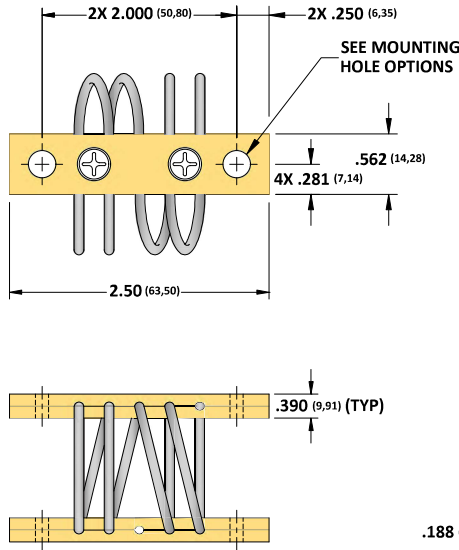


Helical Isolator

3/16" DIAMETER CABLE



PART NUMBER	DIMENSIONS in (mm)		ISOLATOR WEIGHT oz (gms)	COMPRESSION			SHEAR/ROLL (AVG)		
	H ±.03	W (REF)		Kv (VIBE) (lbs/in)	Ks (SHOCK) (lbs/in)	MAX. DEFLECT. (in)	Kv (VIBE) (lbs/in)	Ks (SHOCK) (lbs/in)	MAX. DEFLECT. (in)
SB6-120-04-[ ]	1.20 (30,5)	1.40 (35,6)	2.4 (67)	767	727	.40	251	314	.40
SB6-130-04-[ ]	1.30 (33,0)	1.50 (38,1)	2.4 (68)	635	566	.45	229	280	.45
SB6-140-04-[ ]	1.40 (35,6)	1.60 (40,6)	2.5 (70)	572	510	.50	167	206	.50
SB6-150-04-[ ]	1.50 (38,1)	1.70 (43,2)	2.6 (73)	500	428	.60	145	186	.60
SB6-160-04-[ ]	1.60 (40,6)	1.80 (45,7)	2.6 (75)	384	315	.70	117	148	.70
SB6-170-04-[ ]	1.70 (43,2)	1.90 (48,2)	2.7 (77)	295	236	.80	88	123	.80
SB6-190-04-[ ]	1.90 (48,2)	2.10 (53,3)	3.0 (84)	203	153	1.00	64	80	1.00
SB6-200-04-[ ]	2.00 (51,0)	2.30 (58,4)	3.1 (89)	170	130	1.10	49	68	1.10

**NOTES, FEATURES, MATERIALS/FINISHES**

**NOTES:**

- MOUNTING HOLE TOLERANCES: ±0.010 (±0.25mm).
- ALL DIMENSIONS IN PARENTHESIS ARE METRIC (mm).
- SPECIALS AVAILABLE UPON REQUEST (MATERIALS, SIZE, MOUNTING HOLES, FINISH, ETC...)
- ADD .14lbs (.06kg) TO ISOLATOR WEIGHT FOR ALL-STAINLESS STEEL VERSIONS.

**FEATURES:**

- RUGGED ALL METAL CONSTRUCTION
- UNEQUALLED TEMP. RANGE: -200°F TO 500°F
- THREE AXIS CAPABILITY (6 DOF)
- FAIL SAFE CONSTRUCTION
- HIGH DAMPING: C/Cc ≈ .15-.20
- LONG LIFE AND MAINTENANCE FREE

**MATERIALS/FINISHES:**

- CABLE: 300 SERIES SS PER MIL-W-83420 OR RR-W-410
- SCREWS: 300 SERIES SS PER MS51959-28
- INSERTS: 300 SERIES SS (ALUM BARS ONLY)
- RETAINER BARS: SEE BELOW

**MODEL NUMBER EXAMPLE**

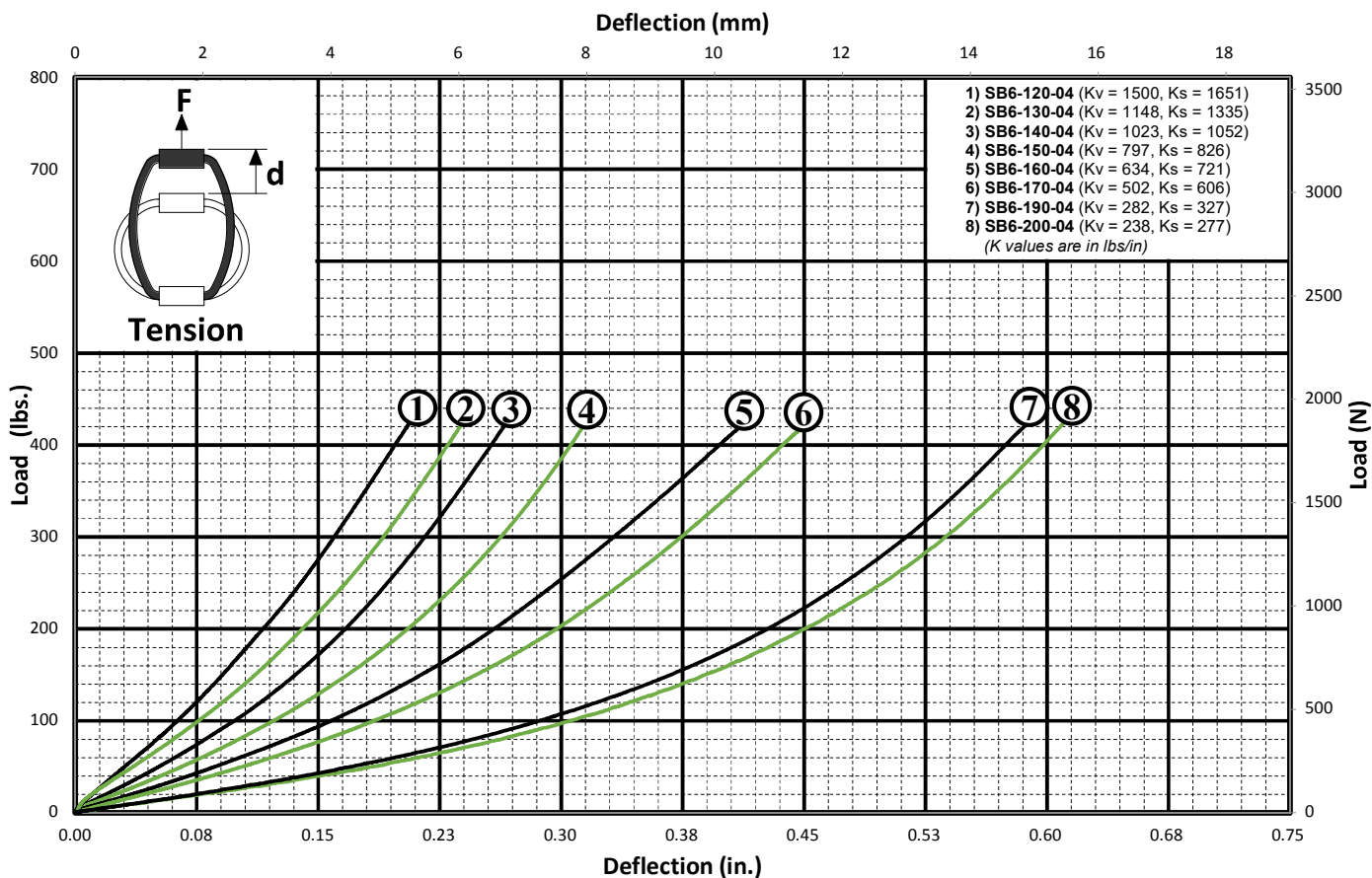
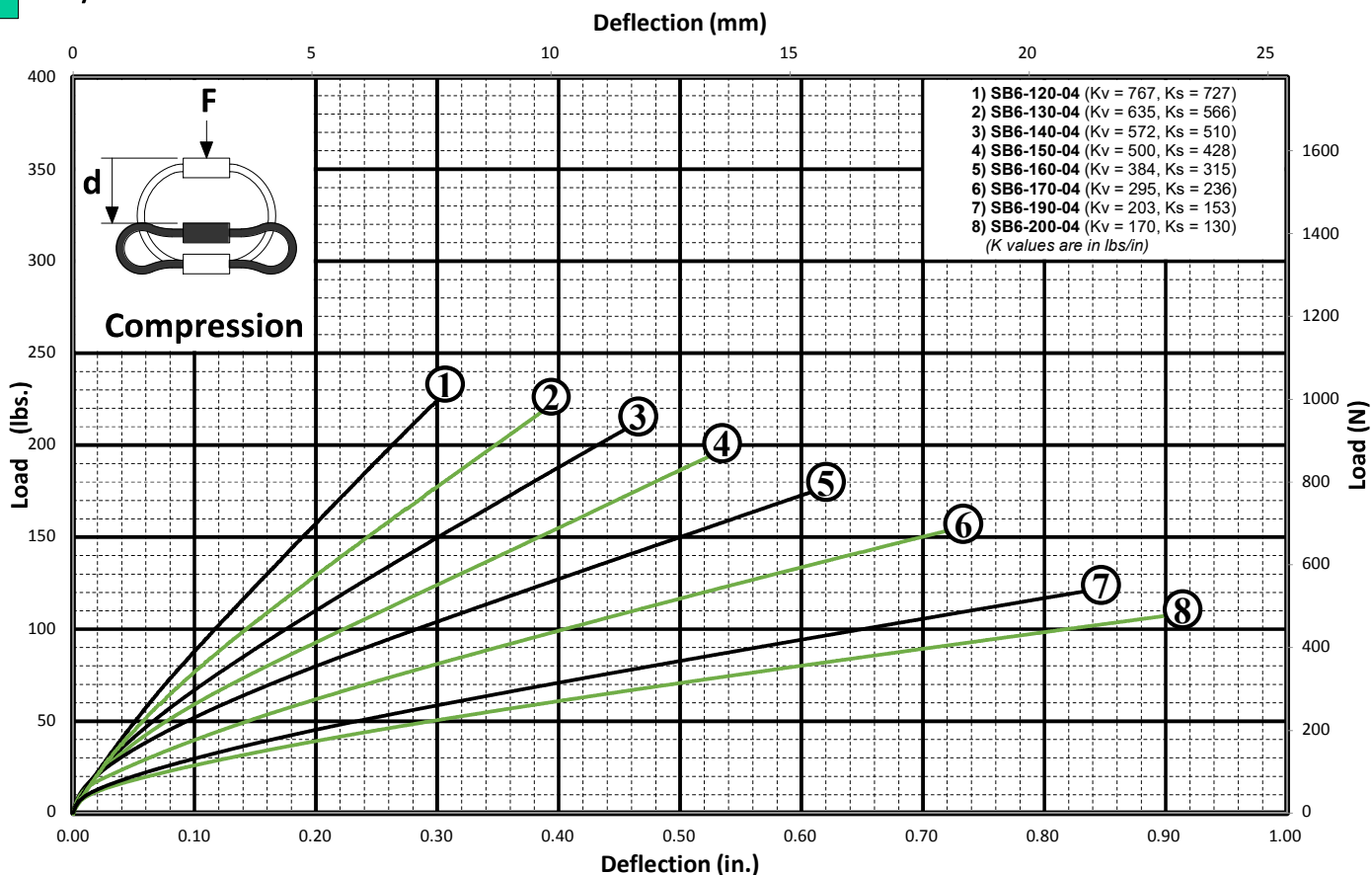
**SB6 - 150 - 04 - S - D**

- MOUNTING HOLES**
  - SEE MOUNTING HOLE OPTIONS.
  - ADD 'M' TO END OF P/N FOR METRIC MOUNTING HOLES.
  - ADD 'L' TO END OF P/N FOR LOCKING INSERTS. (N/A FOR SS BARS)
- BAR MATERIAL/FINISH**
  - [ ] = 6061-T6 ALUM ALLOY/CHEM FILM IAW MIL-DTL-5541, TYPE II, CLASS 3.
  - [H] = 6061-T6 ALUM ALLOY/ANODIZED IAW MIL-A-8625, TYPE II CLASS 1.
  - [S] = 300 SERIES SS/PASSIVATED IAW ASTM A967.
- NO. OF LOOPS**
  - 4 LOOPS STANDARD FOR THE SB6 SERIES.
  - ISOLATOR SPRING RATES ARE DIRECTLY PROPORTIONAL TO NO. OF CABLE LOOPS.
- MODEL SIZE**
  - BASED ON ISOLATOR HEIGHT
- SERIES**
  - CABLE DIAMETER IN 32NDS

**MOUNTING HOLE OPTIONS**

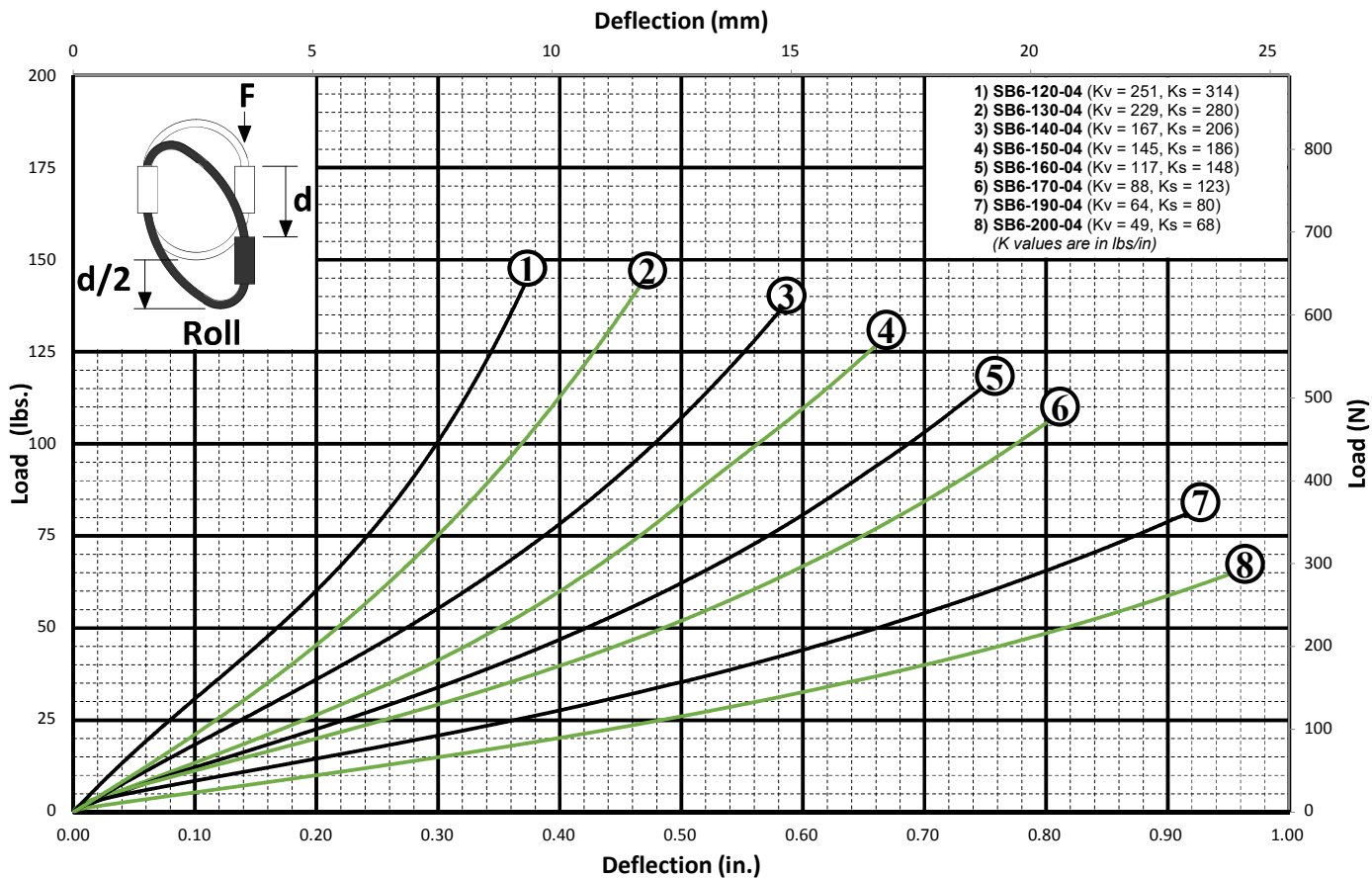
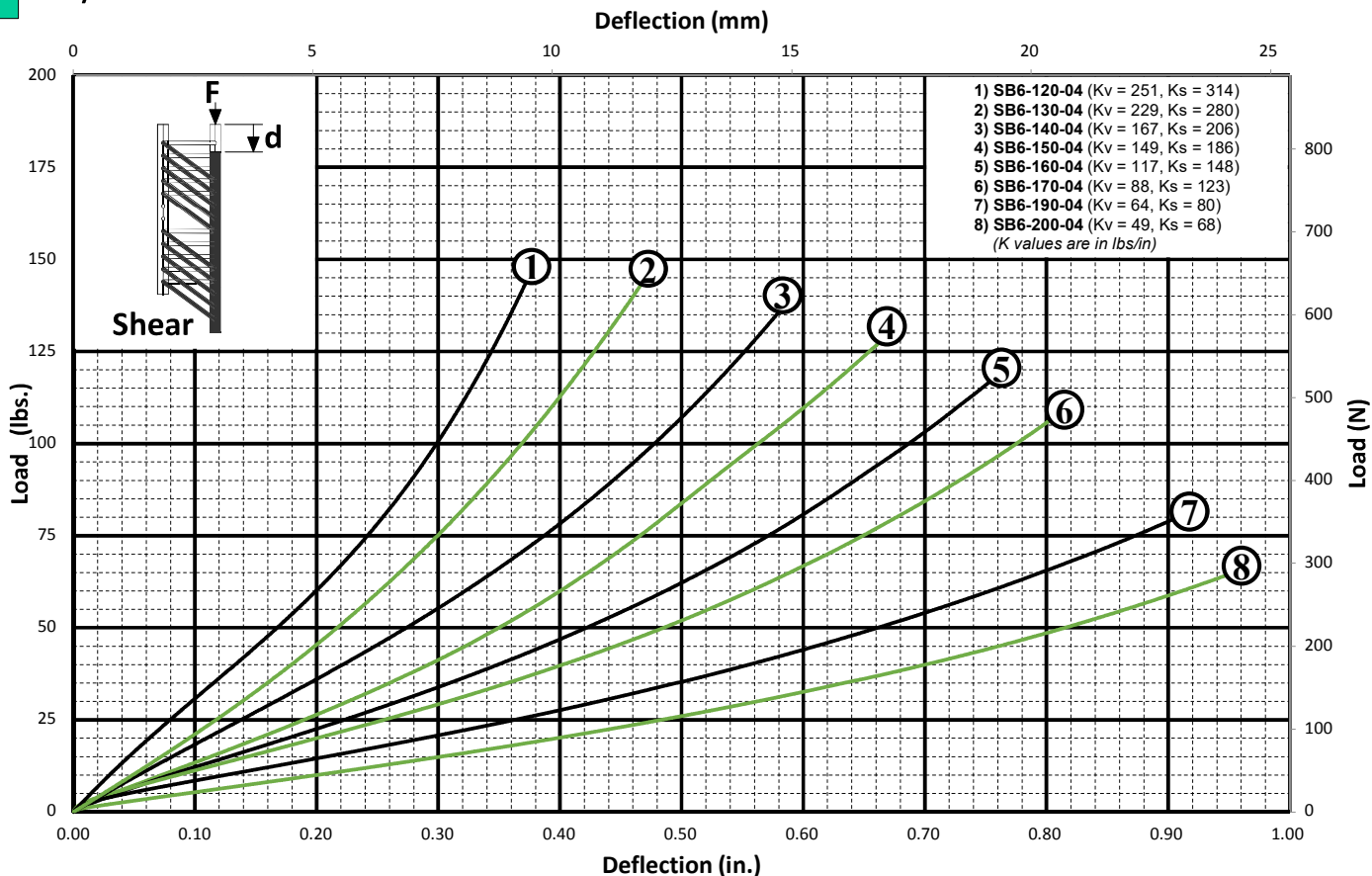
3/16" DIAMETER CABLE

Helical Isolator



3/16" DIAMETER CABLE

Helical Isolator



3/16" DIAMETER CABLE

Helical Isolator

